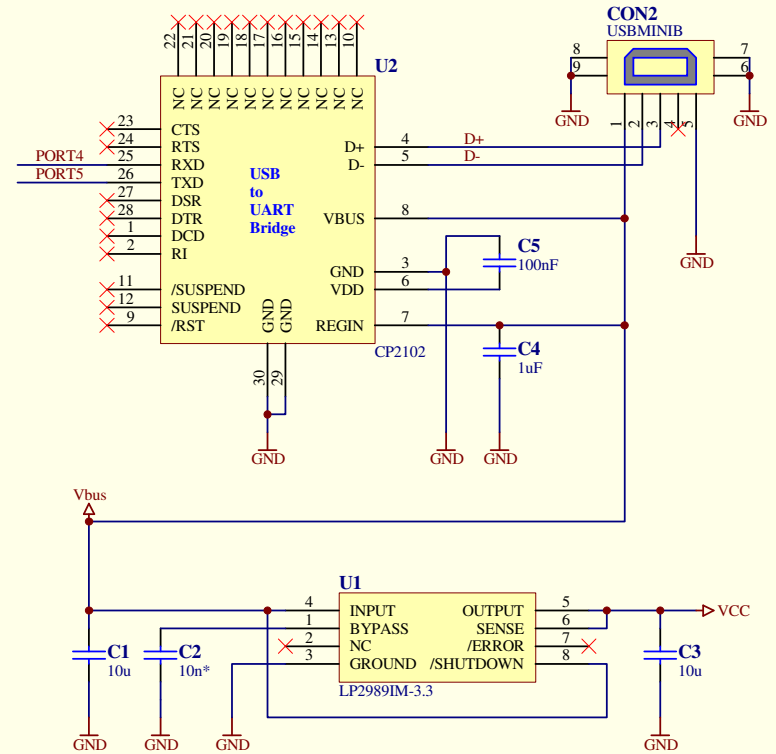
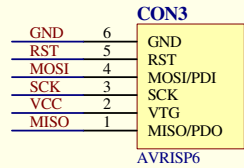
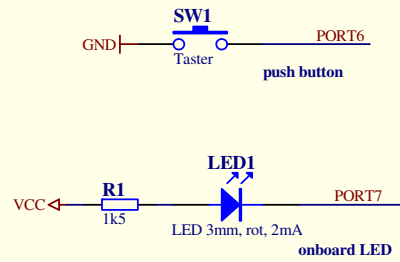


iDwaRF-168 Signals

OC0B T1 PD5 AIN1 PD7 ADC3 PC3
 OC0A AIN0 PD6 ADC2 PC2
 SCL ADC5 PC5
 SDA ADC4 PC4
 TXD PD1
 RXD PD0
 INT1 OC2B PD3 XCK T0 PD4
 CLKO ICP PB0 OC1A PB1
 MISO PB4
 VCC
 SCK PB5
 MOSI OC2 PB3
 /RESET PC6
 GND

iDwaRF-168 connector



Dr. Erik Lins
 Am Pfad 8 - 35440 Linden
 Deutschland/Germany
<http://www.chip45.com>

Projektname	iDwaRF-NodeBoard		
Arbeitsblatt	1		
Beschreibung	Hub Evaluation Board for the iDwaRF-168 programmable radio module.		
Datum:	13-Aug-2006	Geändert:	
Autor:	Dr. Erik Lins	Version	1.1
Datei:	nodeboard.sch	S. 1	von 1