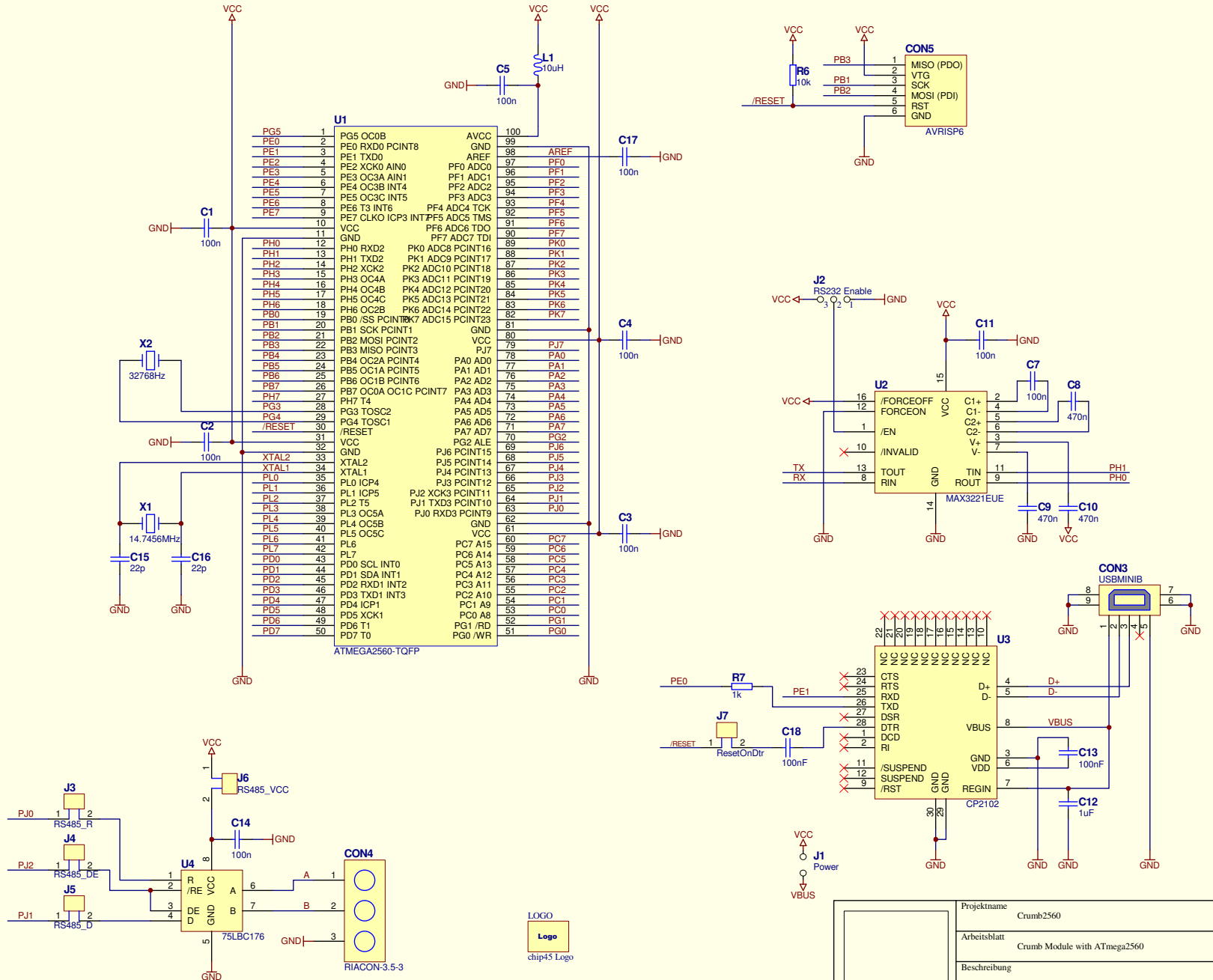
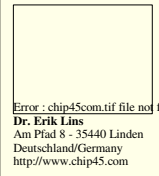


CON1		CON2	
1	TX	48	VBUS
2	RX	47	D-
3	GND	46	D+
4	PG5	45	GND
5	VCC	44	VCC
6	PE1	43	AREF
7	PE2	42	PF0
8	PE3	41	PF1
9	PE4	40	PF2
10	PE5	39	PF3
11	PE6	38	PF4
12	PE7	37	PF5
13	PH0	36	PF6
14	PH1	35	PF7
15	PH2	34	PK0
16	PH3	33	PK1
17	PH4	32	PK2
18	PH5	31	PK3
19	PH6	30	PK4
20	PH7	29	PK5
21	PB0	28	PK6
22	PB1	27	PK7
23	PB2	26	PA0
24	PB3	25	PA1
25	PB4	24	PA2
26	PB5	23	PA3
27	PB6	22	PA4
28	PB7	21	PA5
29	/RESET	20	PA6
30	PL0	19	PA7
31	PL1	18	PG2
32	PL2	17	PJ6
33	PL3	16	PJ5
34	PL4	15	PJ4
35	PL5	14	PJ3
36	PL6	13	PJ2
37	PL7	12	PJ1
38	PD0	11	PJ0
39	PD1	10	PG7
40	PD2	9	PG6
41	PD3	8	PG5
42	PD4	7	PG4
43	PD5	6	PG3
44	PD6	5	PG2
45	PD7	4	PG1
46	GND	3	PG0
47	A	2	
48	B	1	



	Projektname	Crumb2560	
	Arbeitsblatt	Crumb Module with ATmega2560	
	Beschreibung		
	Stand:		
	Dr. Erik Eins Am Pfad 8 - 35440 Linden Deutschland/Germany http://www.chip45.com		
Datum:	15-Nov-2010	Geändert:	
Autor:		Version	1.1
Datei:	crumb2560.sch		S. 1 von 1

Error: chip45com.tif file not found