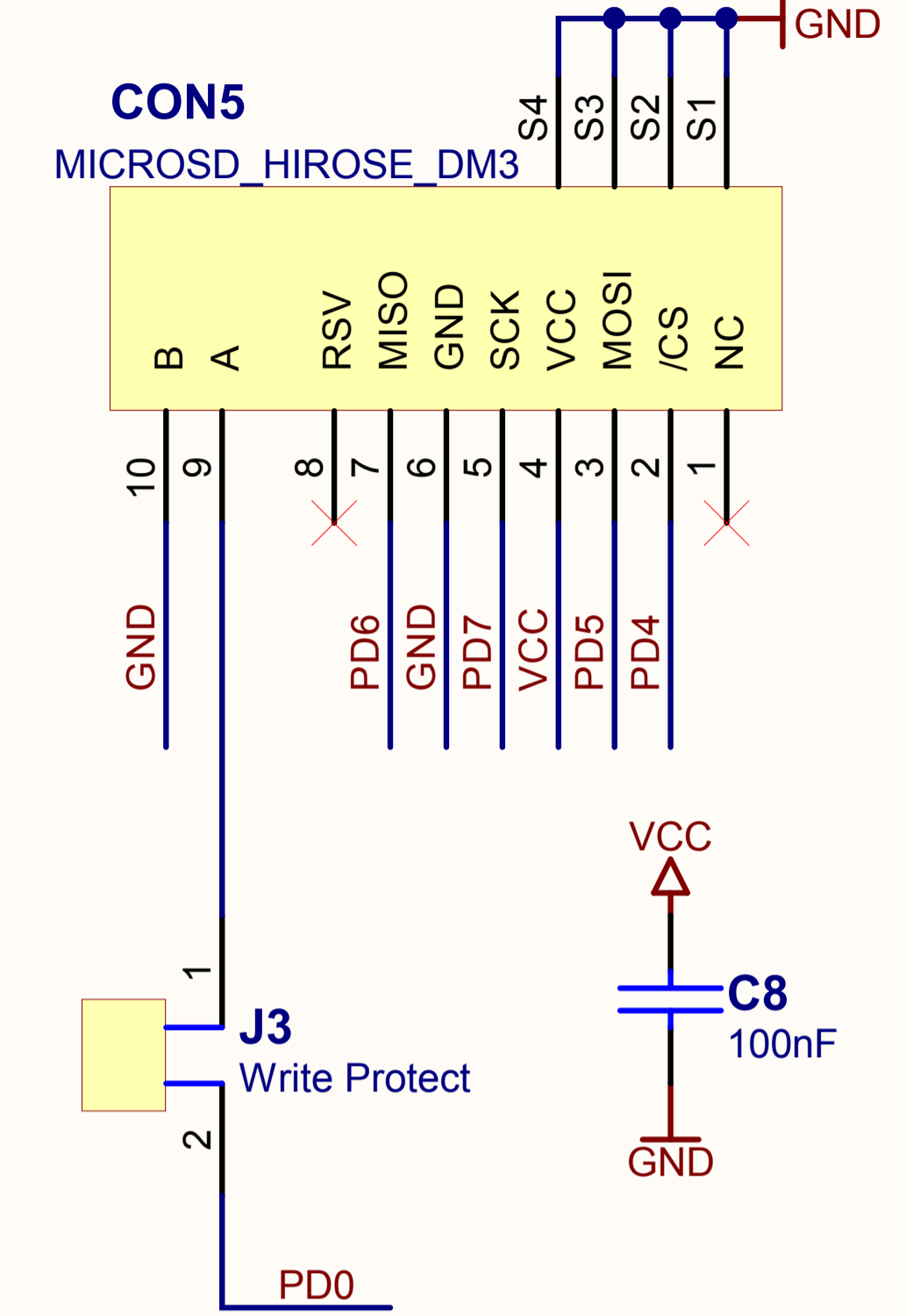
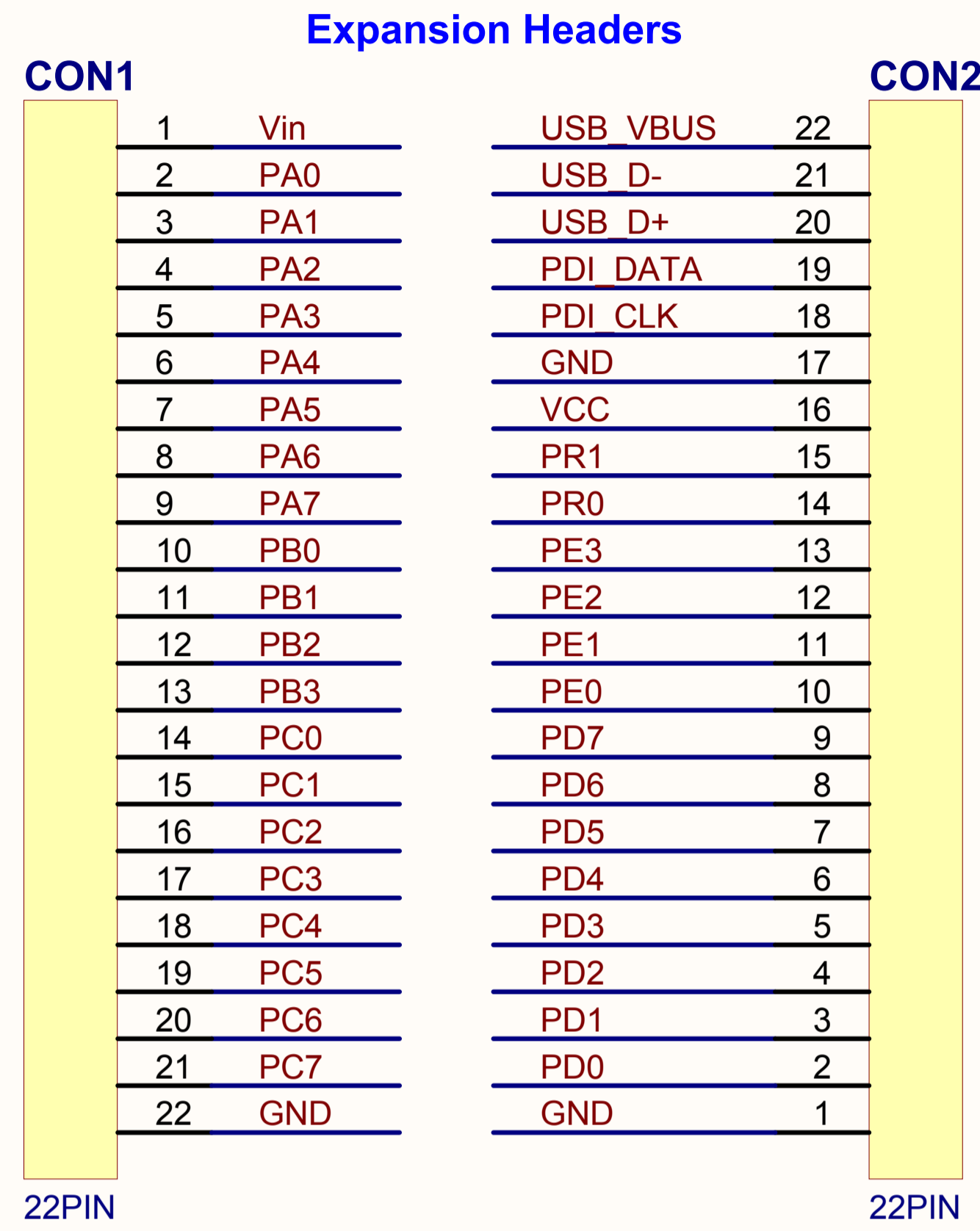
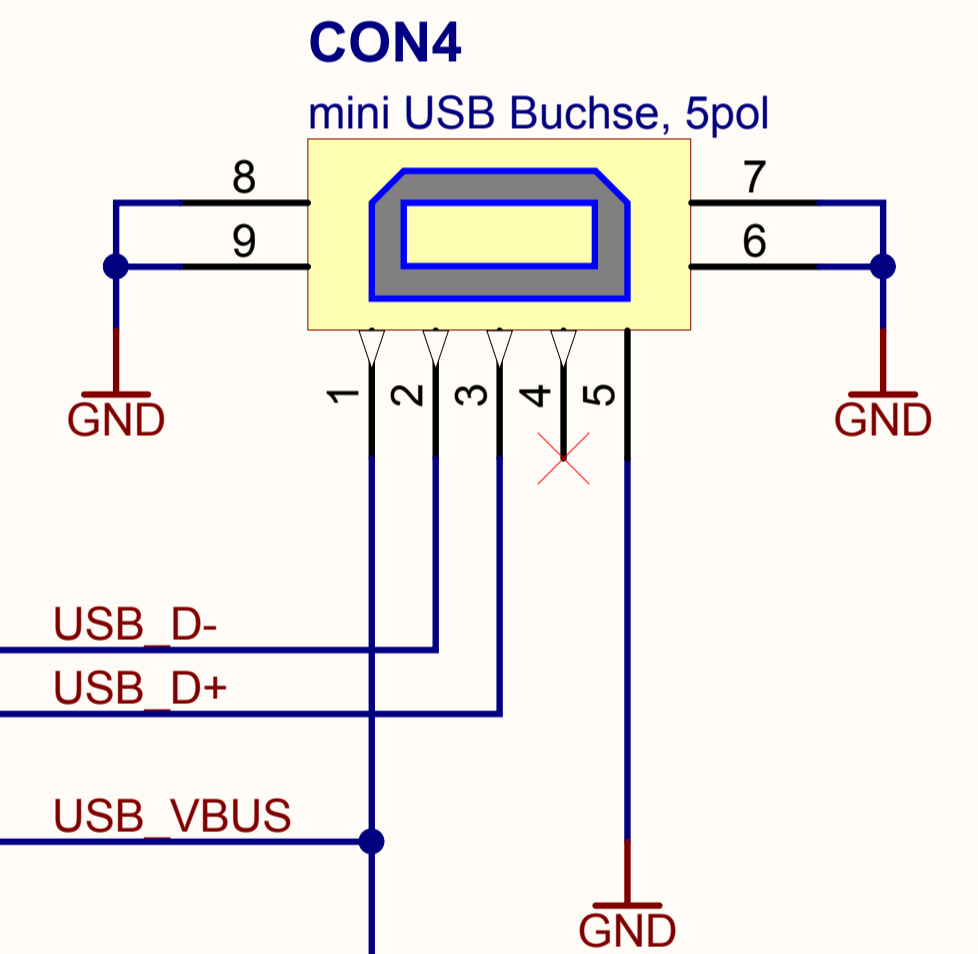


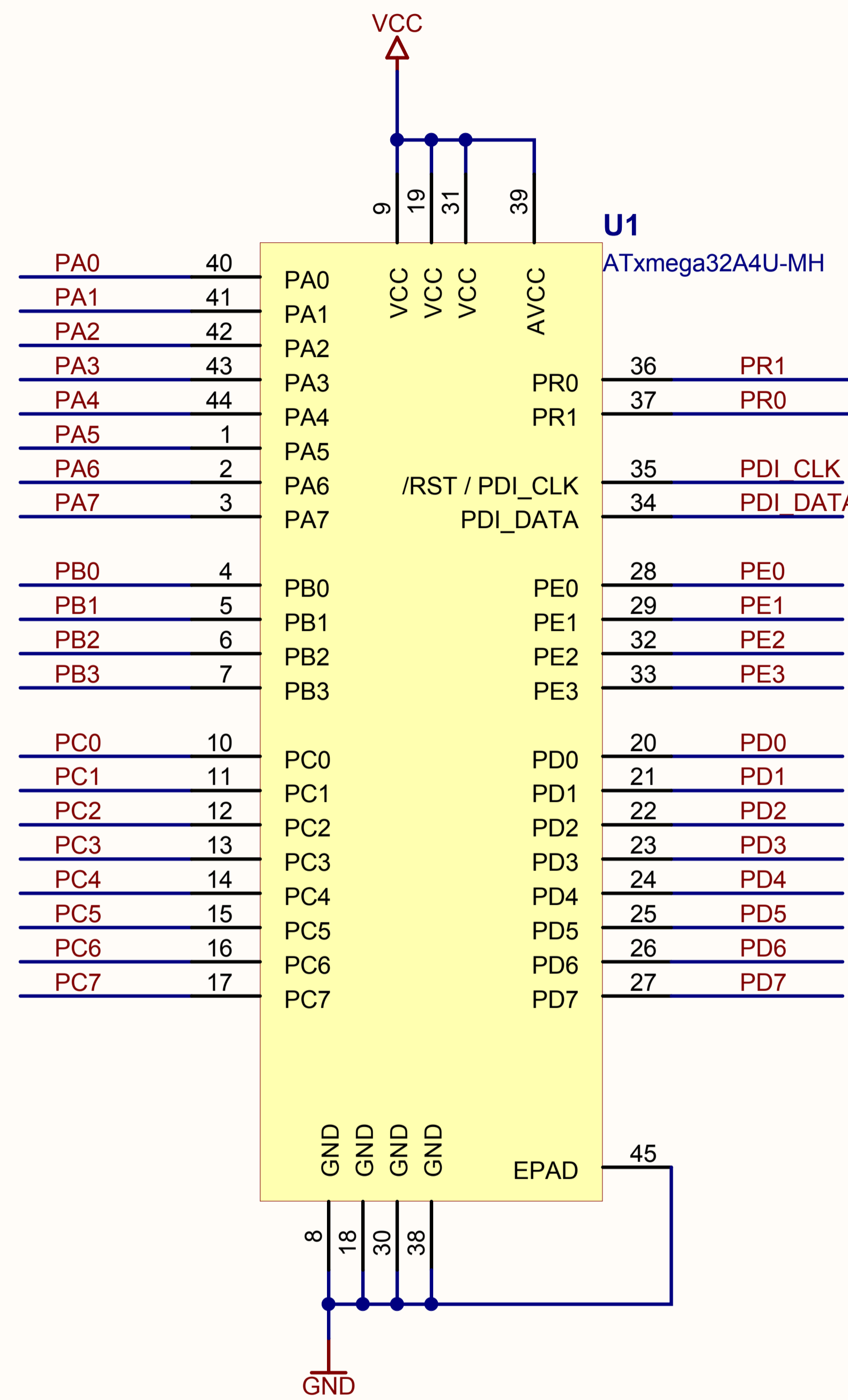
microSD Card Header (SPI Port D)



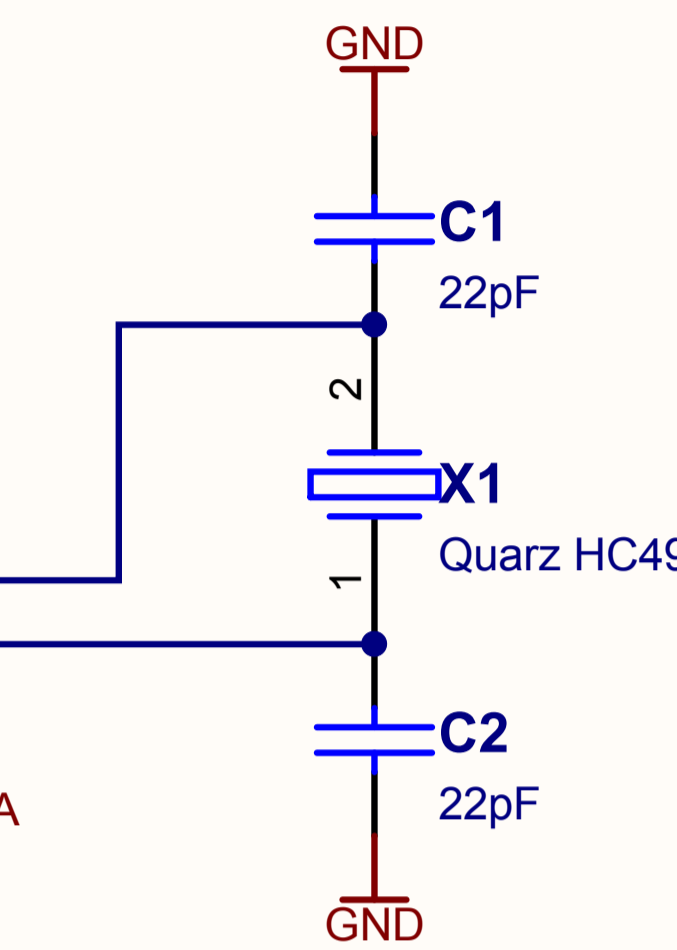
Mini 5-pin USB-B connector (USB-UART Converter USARTE0)



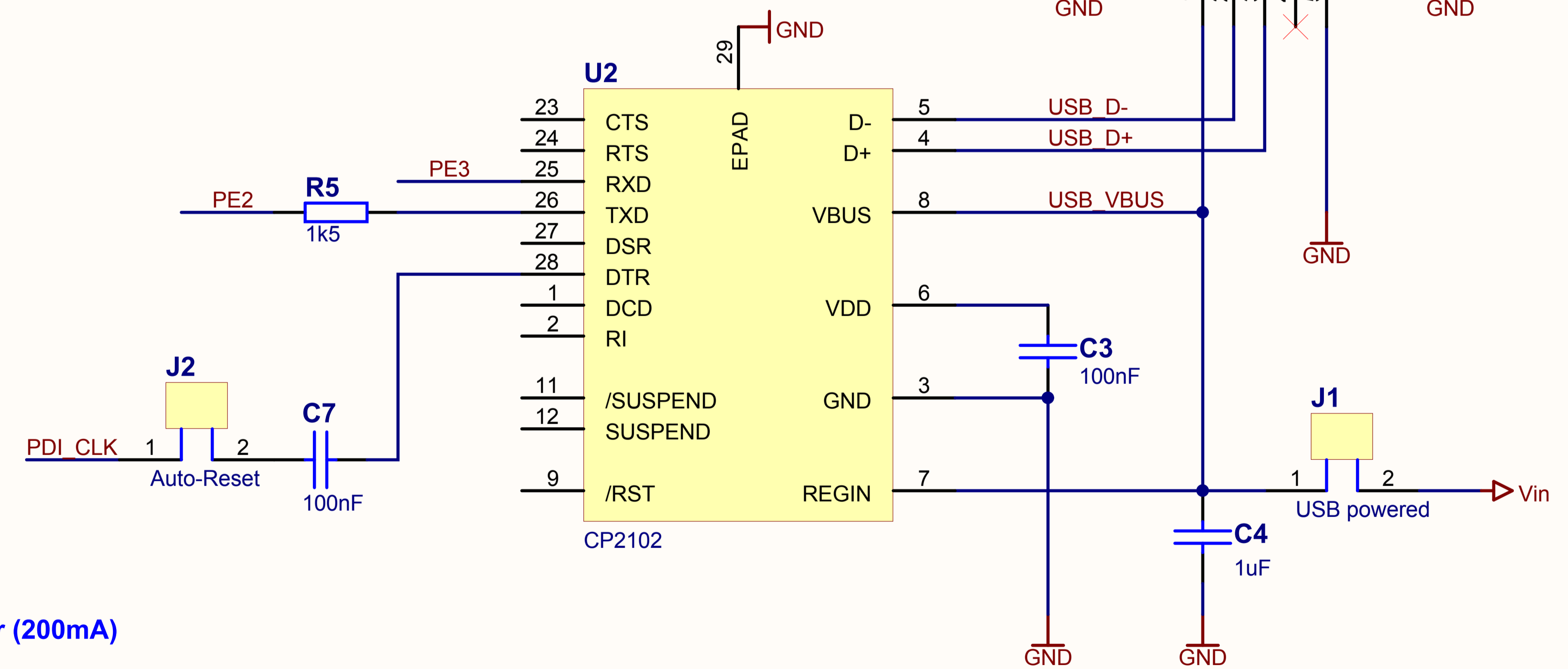
Xmega Microcontroller



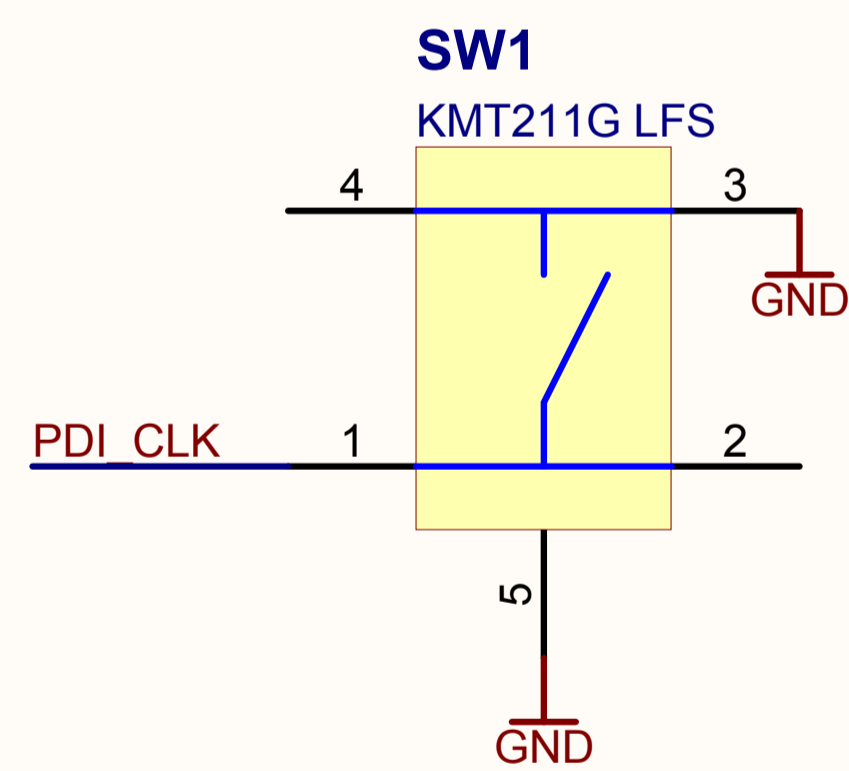
XTAL Crystal



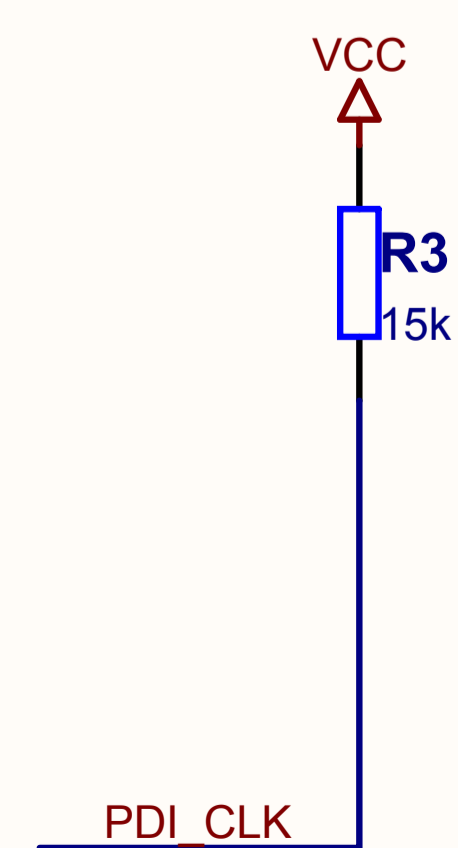
USB-UART Converter



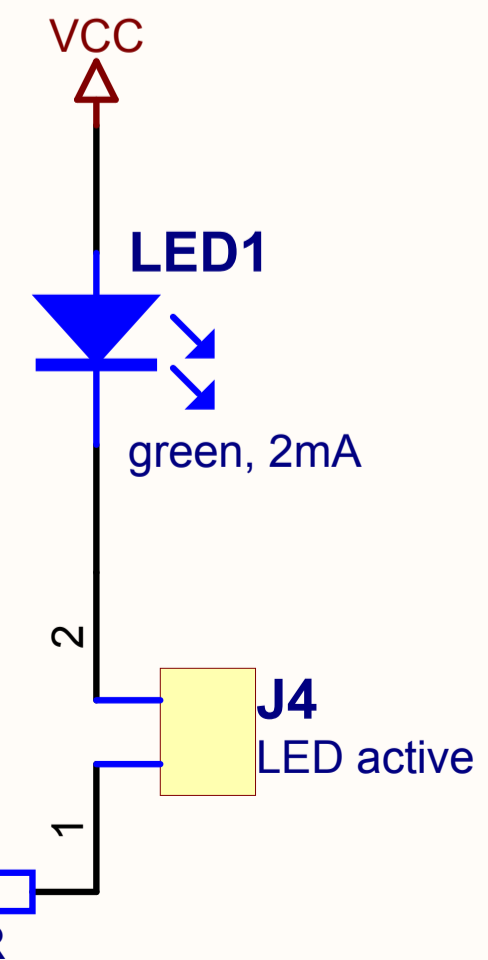
Reset Push Button



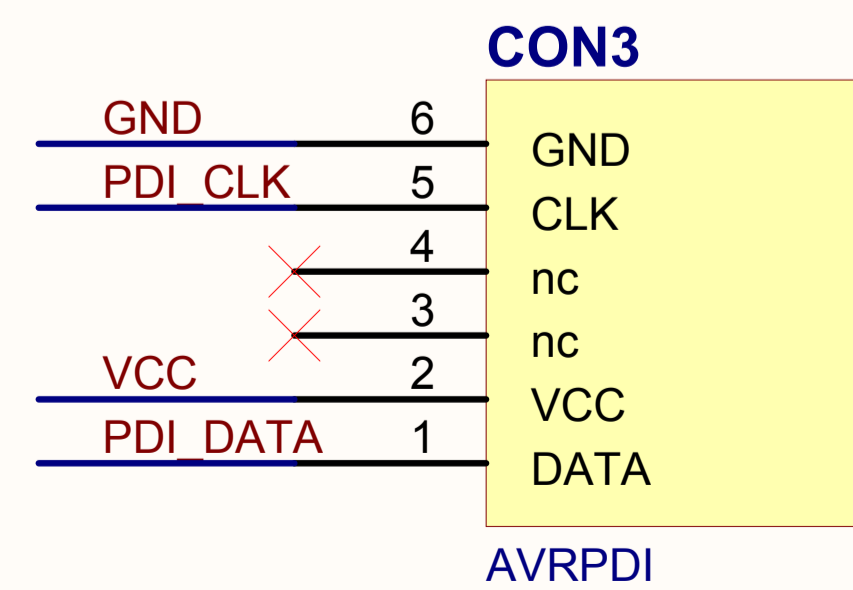
Reset pullup resistor



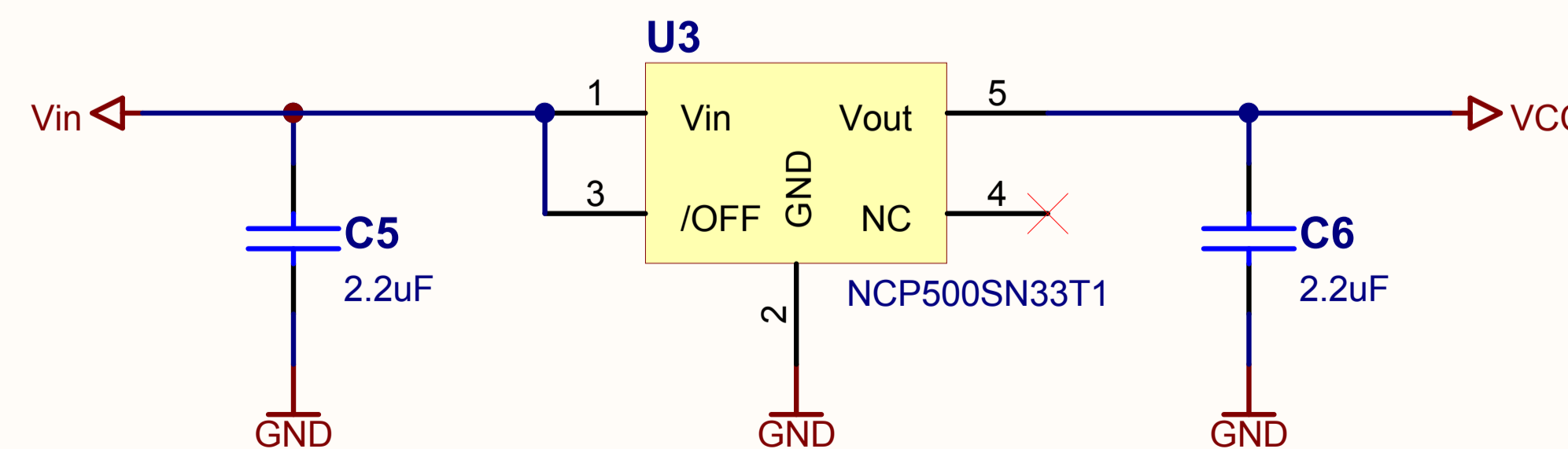
Status LED



ISP PDI Connector



Low Drop 3.3V Regulator (200mA)



Project		Module with ATxmega32A4U, USB, LDO, micro-SD	
Name		CrumbX32A4	
Date:	06.02.2013	Modified:	
Author:	Dr. Erik Lins	Version	1.0
File:	CrumbX32A4.sch		1 von 1