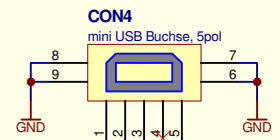
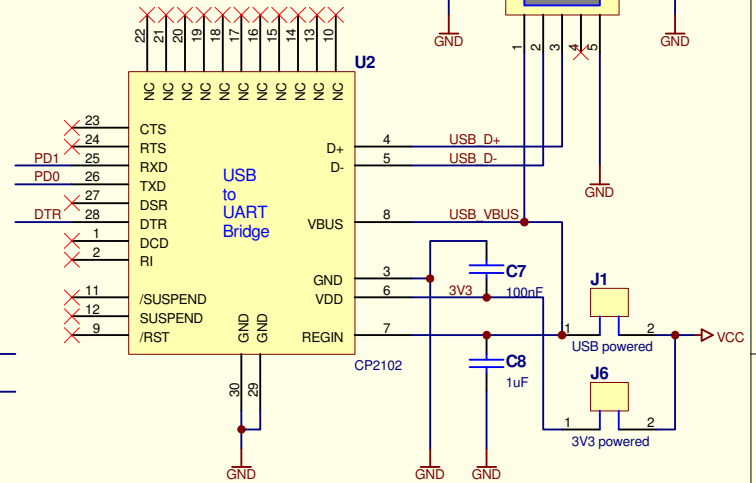


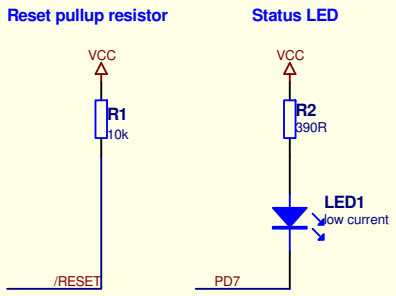
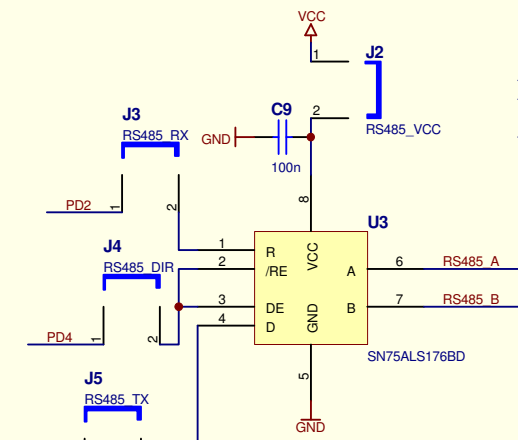
Mini 5-pin USB-B connector



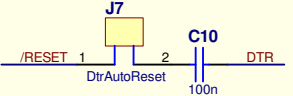
USB-UART converter



RS485 Transceiver (half duplex)

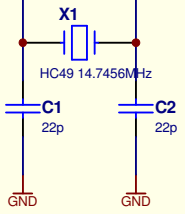


Auto Reset on DTR?



Jumpers for all RS485 transceiver signals
In case RS485 is not used, it will not disturb any signals and won't draw leakage current!

Crystal oscillator in convenient HC49 package



Project	Crumb module with ATmega644P		
Name	Crumb644		
Date:	22-Jul-2010	Modified:	Version 1.1
Author:			
File:	crumb644.sch		1 von 1