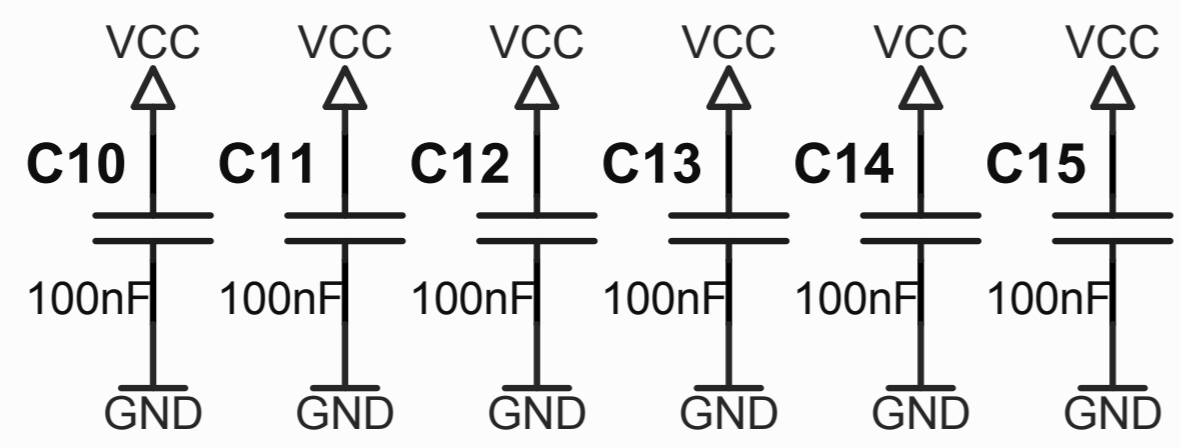
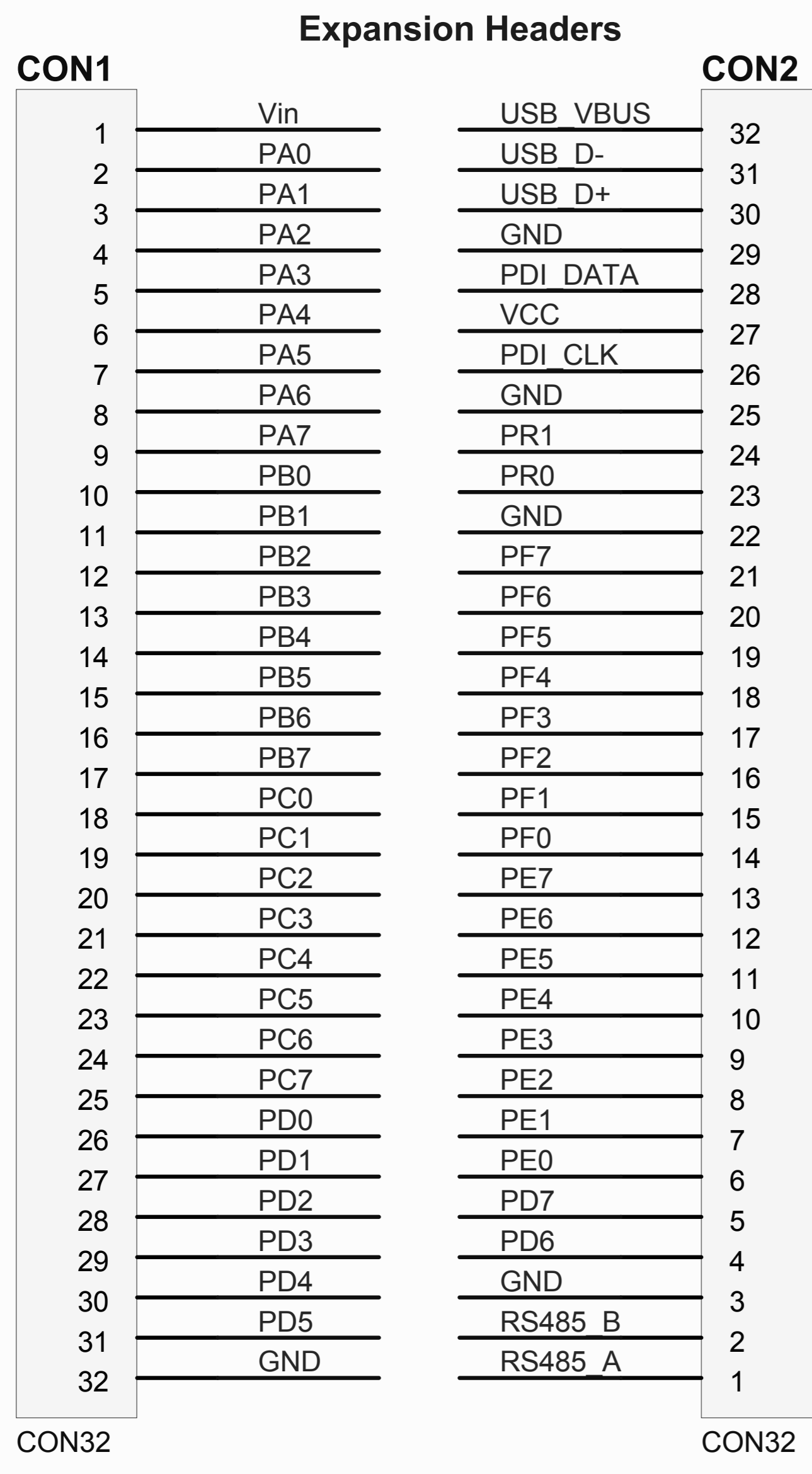
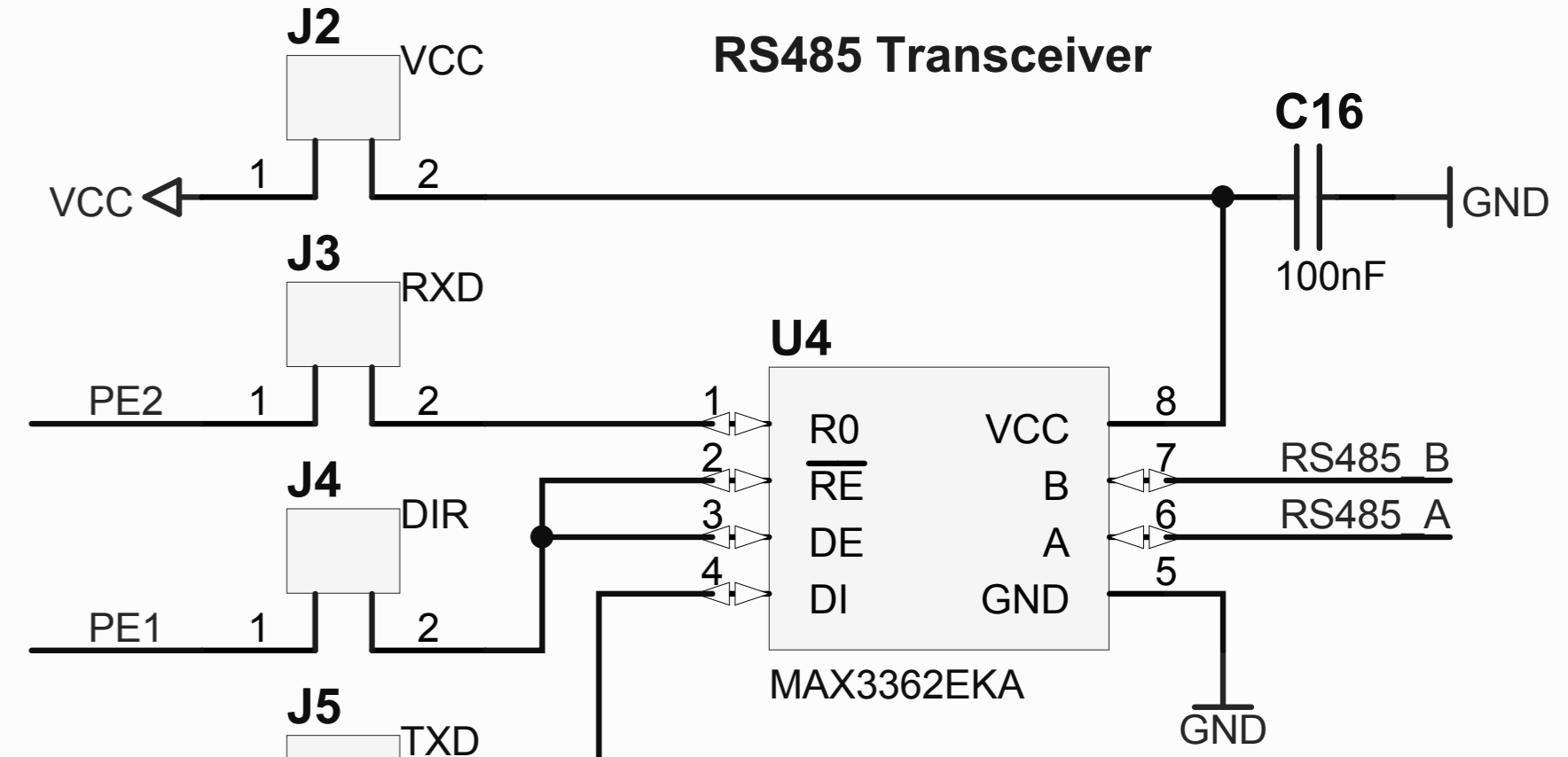
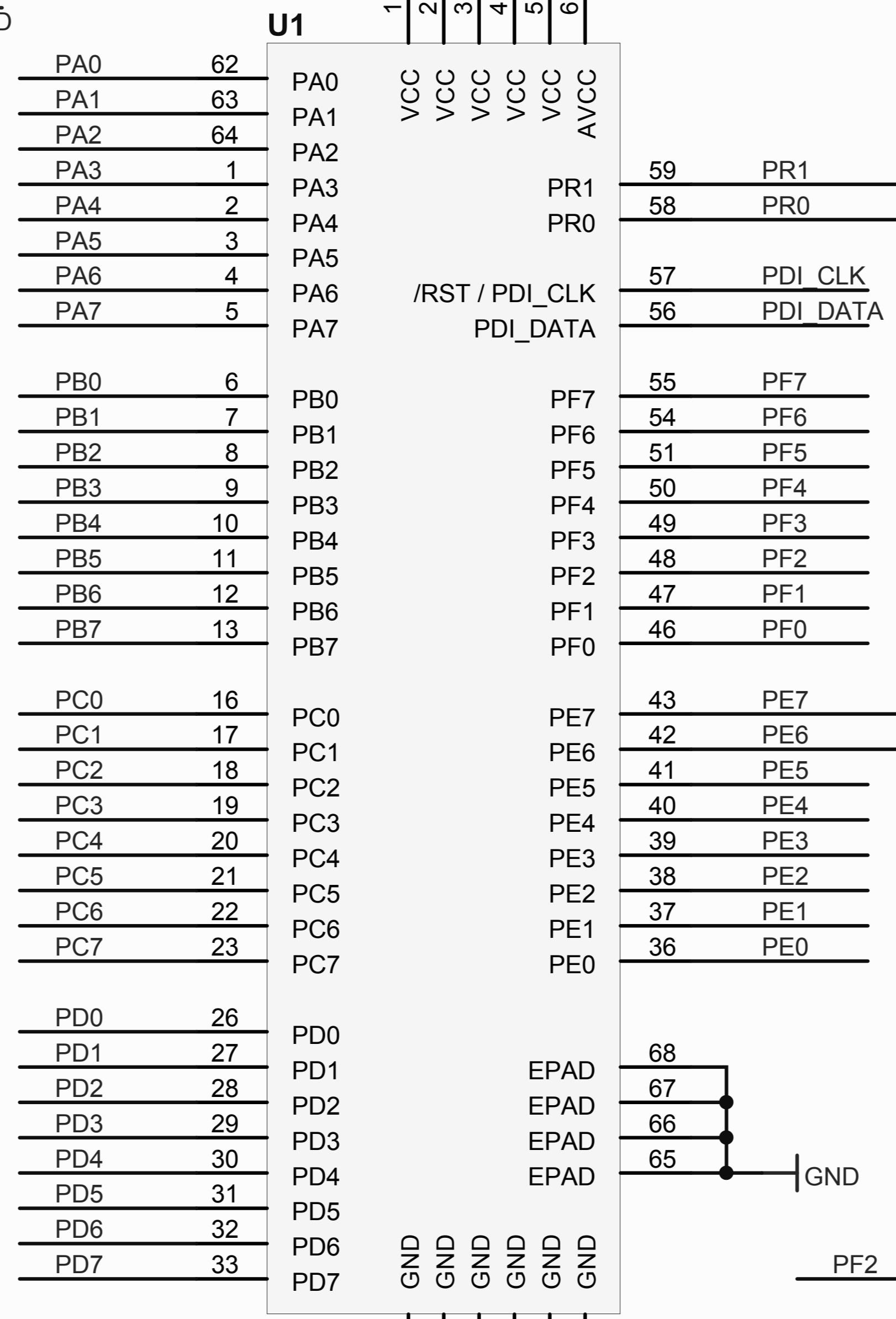




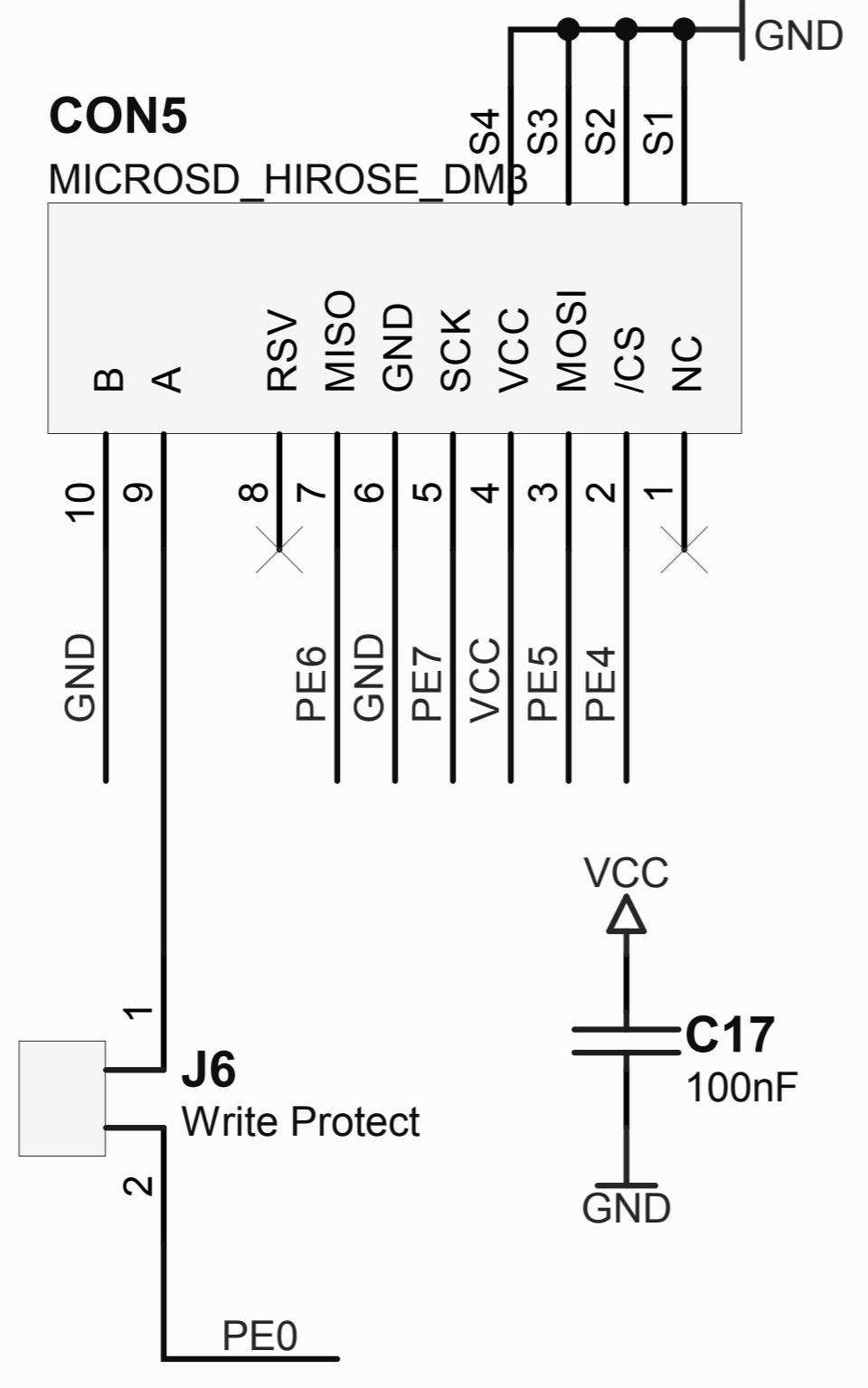
### Bypass Capacitors



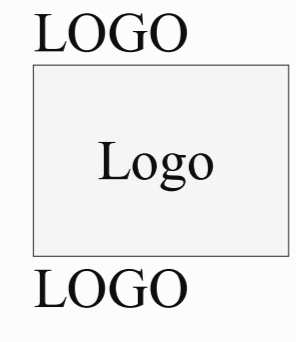
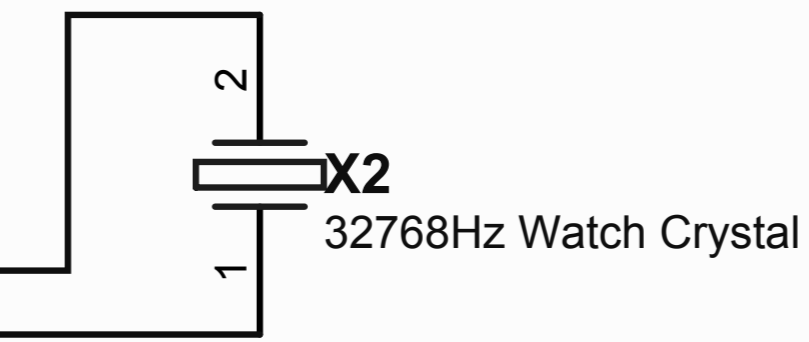
### Xmega Microcontroller



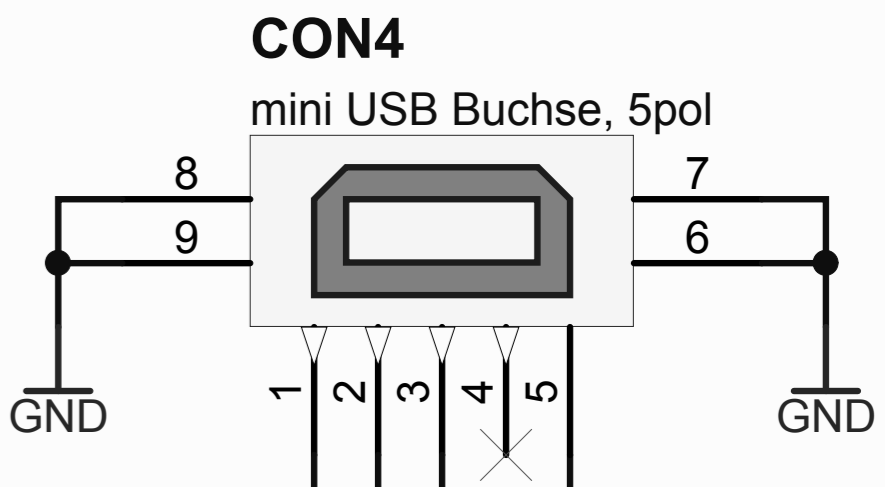
### microSD Card Header



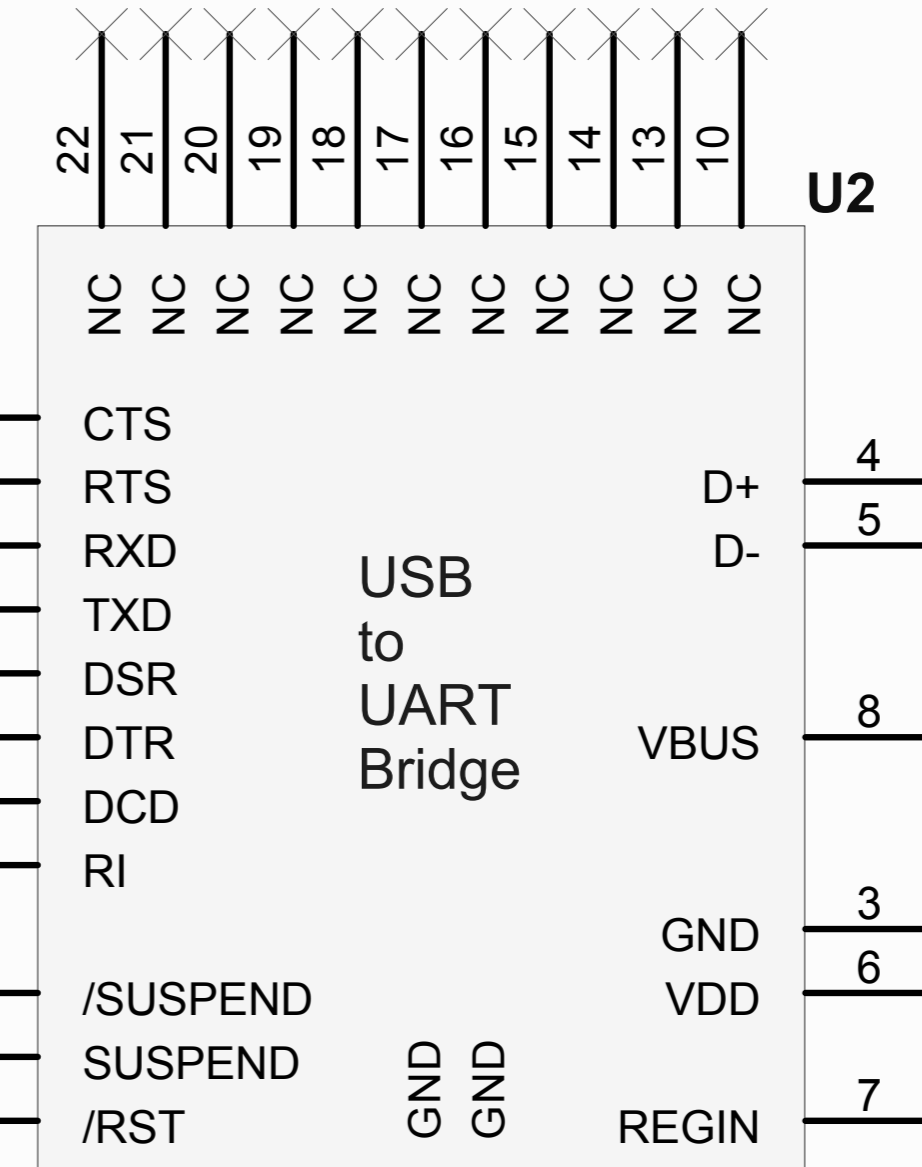
### XTAL and TOSC Crystals



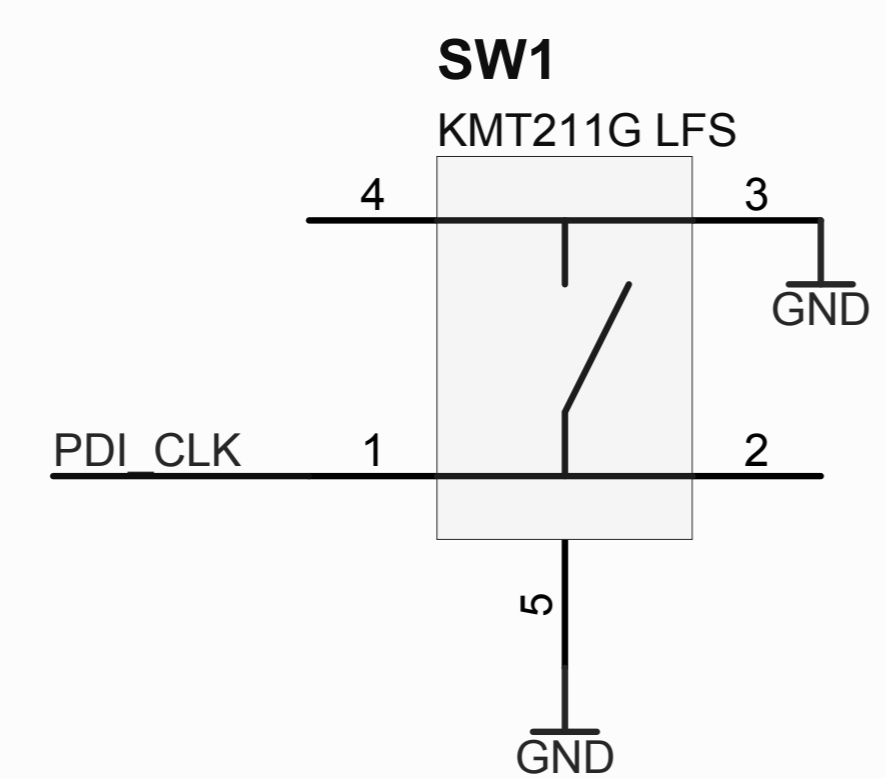
### Mini 5-pin USB-B connector



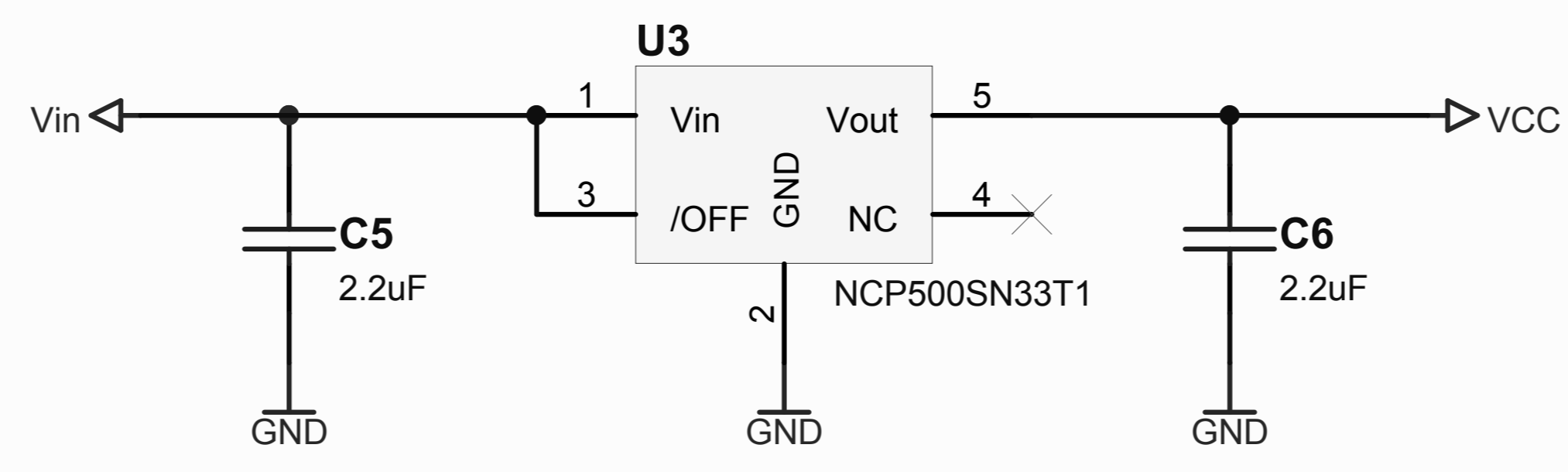
### USB-UART converter



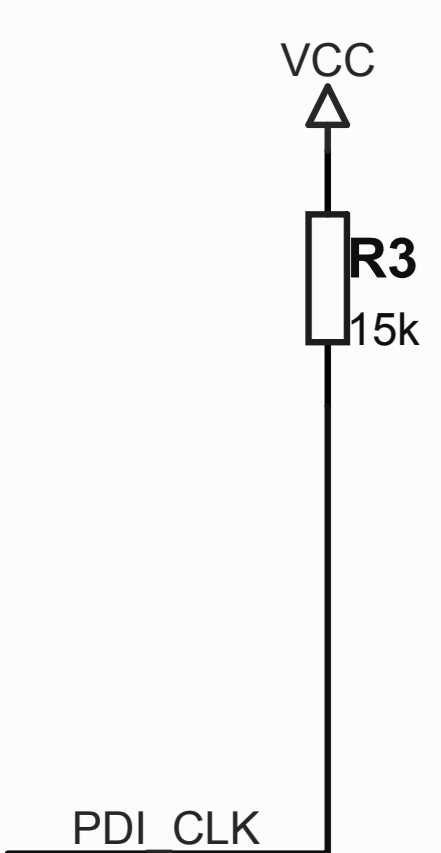
### Reset Push Button



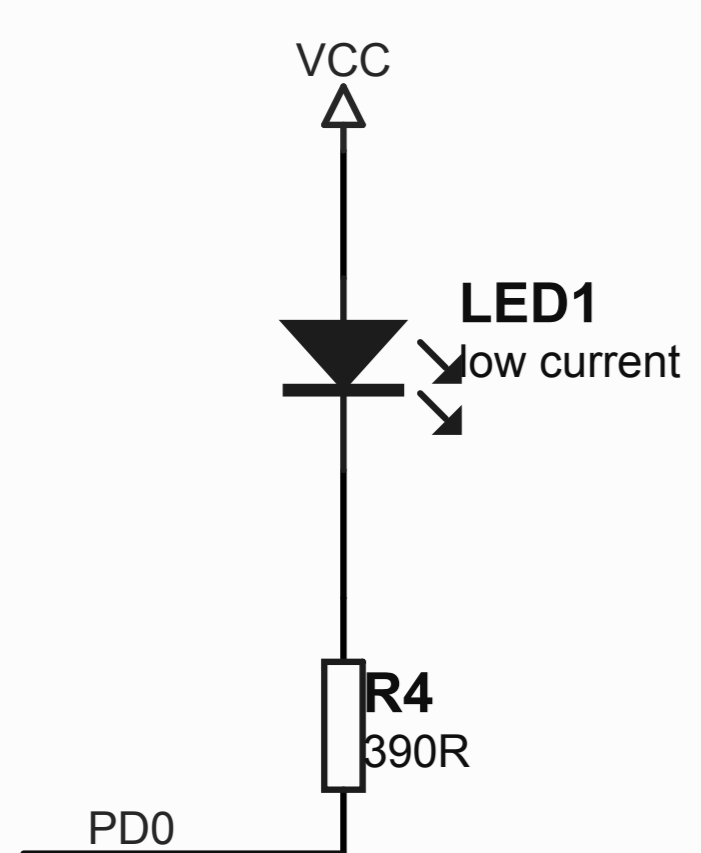
### Low Drop 3.3V Regulator (200mA)



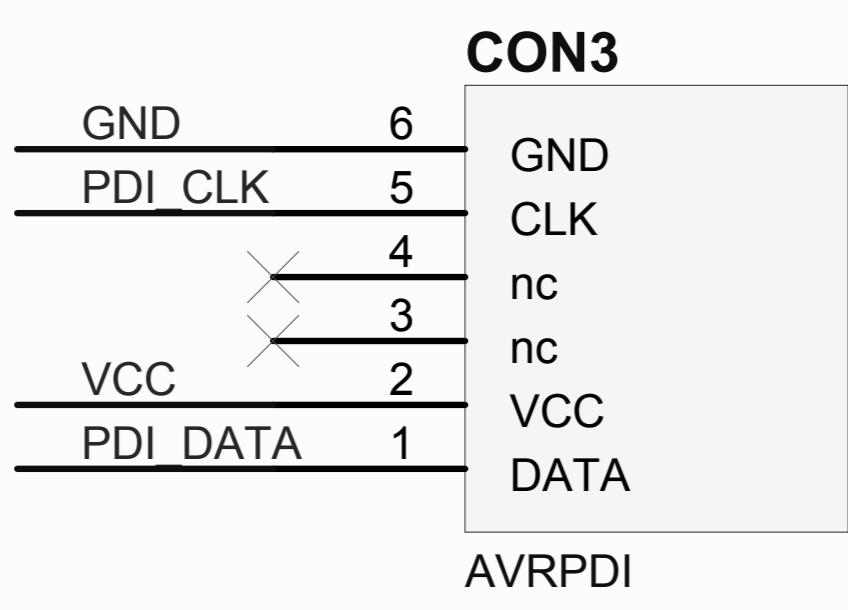
### Reset pullup resistor



### Status LED



### ISP PDI Connector



Project		
Module with ATxmega128A3U, USB, RS485, LDO		
Name		
CrumbX128A3		
Date:	11.07.2012	Modified:
Author:	Dr. Erik Lins	
File:	CrumbX256A3.sch	
Version		1.5
1 von		1

